

Part number

CMAP 03 L



Brief description:

surface mounting housings with single lever, size "57.27" insulated 830V, Pg21, insulated 830V version, IP66 (EN 60529) and IP69K (DIN 40050 - 9) degree of protection.

Product description

Version	insulated 830V version
Series	Surface mounting housings with 1 lever
Product type	with 1 lever
Style	high construction
Family	830V enclosures for CME inserts
Size	size "57.27" insulated 830V

Technical data

Material	metal
IP degree of protection	IP66 (and IP69K DIN 40050 - 9)
Cable entry	Pg21

Further technical details

Weight	330,00 g
---------------	----------

Approvals / Standards

Quality mark	 (type:4/4X/12),  , EAC
Conformity	CQC, CE

General ordering information

EAN13 code	8015747029025
Tariff number	85369095

Packaging Information

Sub-packaging weight	1,65 kg
Sub-packaging description	Plastic packaging
Sub-packaging quantity	5 Pcs
Sub-packaging EAN barcode	8015747029032

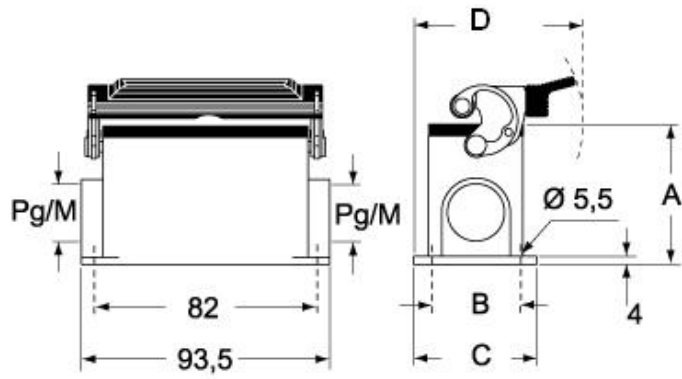
Part number

CMAP 03 L



Catalogue drawings

CMP L CMAP L - MMP L MMAP L



CMP LS CMAP LS - MMP LS MMAP LS

